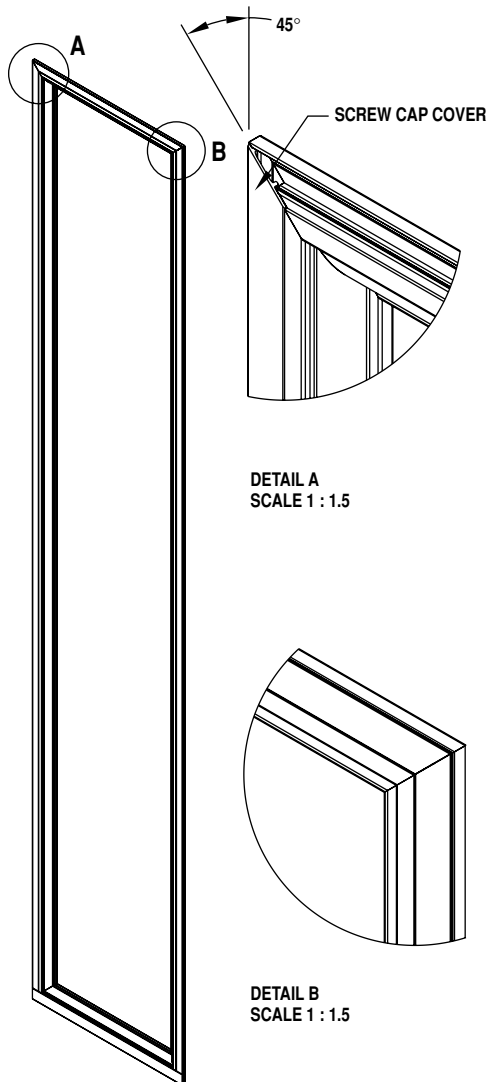




SIDE-LITE STORM PANEL MODEL L705

INSTALLATION INSTRUCTIONS



TOOLS NEEDED:

1. Power drill with assorted tips
2. Caulking gun with caulk
3. Tape measure
4. Scissors or tin snips

Larson recommends having another person help install your sidelite .

BEFORE YOU GET STARTED:

- Verify opening size (size shown on label)
- Make sure house door trim is securely nailed to support your new sidelite.

STEP ONE:

Place sidelite into opening to ensure proper size for your opening. Check to see if the expander will be needed. Refer to drawings below for proper placement.

STEP TWO:

Lay sidelite down on saw horses and drill equally spaced 1/8" installation holes into the screw channels located on all four sides of the sidelite. Your sidelite comes with 13 mill finished installation screws. Refer to the figure below for screw channel location. NOTE: Screws may not be needed in the bottom of the sidelite depending on opening style.

STEP THREE:

Install sidelite into opening. Refer to drawings below for proper placement. If expander is needed, it may be applied and adjusted before installing sidelite.

STEP FOUR:

Measure the width and height of your sidelite. Mark a 45° angle on each end of the screw cap covers. When they are cut they should be the same width and height as the sidelite. Use a tin snips or scissors to cut the screw cap covers. Do not cut them too short. See Detail A.

STEP FIVE:

Snap screw cap covers into place. Detail B (bottom left) shows how a finished corner should look when installed properly.

