



920 Series Security Door Installation Instructions

TOOLS REQUIRED

Hacksaw
Hammer & Chisel
Electric Drill w/Phillips Bit & 5/16" Hex Bit
1/8" Drill Bit
Phillips Head Screw Driver
Tape Measure

PARTS LIST

1 - Closer Kit with Storm Chain & Installation Screw Pack
1 - Hinge Side Z-bar (81" Solid bar Attached to Door)
1 - Latch Side Z-bar (83" Bar with Hole Punched for Lock)
1 - Header
1 - Bottom Expander

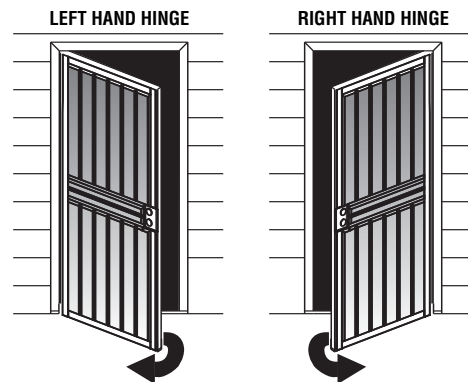
Follow these step by step instructions for easy installation of your security door.

Carefully layout all parts provides. Confirm all parts with the parts list. Follow the instructions as you unpack your door. This will help you to identify each component

1 Determine hinge side of the door.

Determine the hinge side of the door.

Note: All 920 Series doors are pre-hinged at the factory as a left hinge. If your door needs to hinge right you will need to refer to the Reversa-Hinge instructions on page 4 before you go to the next step.



2 Measure.

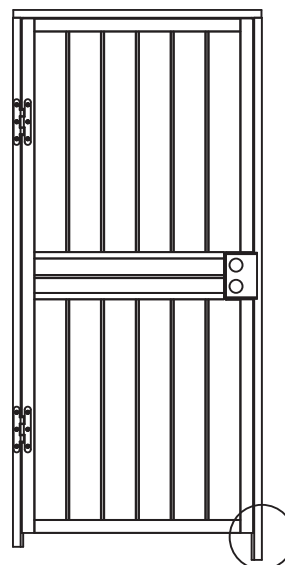
Carefully measure height of the door opening from the header to the threshold on the hinge side.

3 Cut bottom of Z-bar.

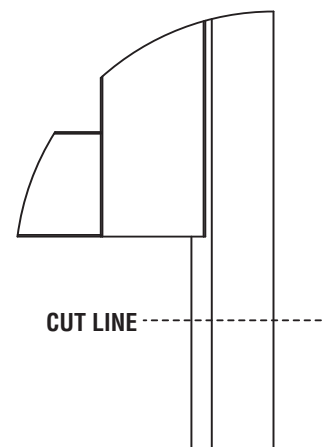
Use a hacksaw to cut the bottom of the hinge side Z-bar (attached to door) 3/16" shorter than the door opening. Make sure you cut from the bottom of the z-bar. See Figure 1.

Record Door Opening _____
minus - $\frac{3}{16}$ " _____
Cut Length = _____

FIGURE 1



DETAIL



4 Place door in the opening.

Place the door in the opening. Push the door tightly against the hinge side brick mold. Use a wedge between the door and brick-mold to keep the door plumb. Check to make sure your door is square in the opening. Shims may be used behind the hinges to adjust. Pre-drill a pilot hole through each open hole in each hinge. Fasten the door through the hinge and Z-bar to the brick mold using the #10 x 2" screws provided. Remove the center hex bit screws and replace with 2 additional #10 x 2" screws. See Figure 2.

NOTE: Pre-drilling all screw holes with a 1/8" drill bit may help avoid wood splits.

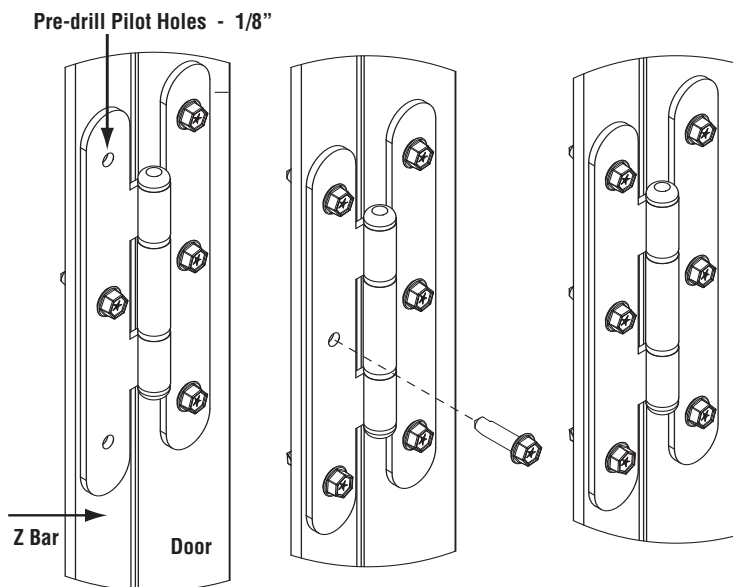


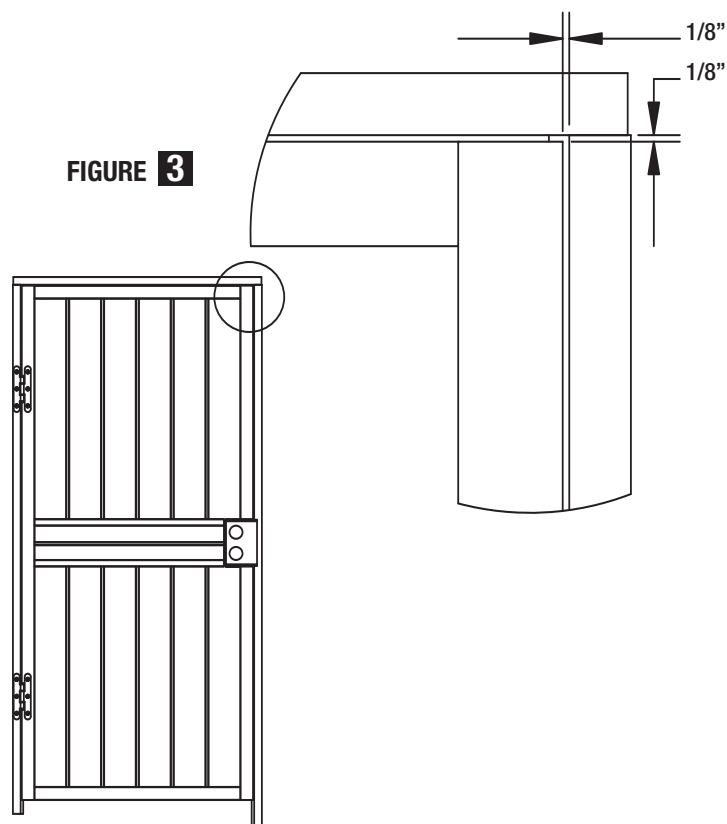
FIGURE 2

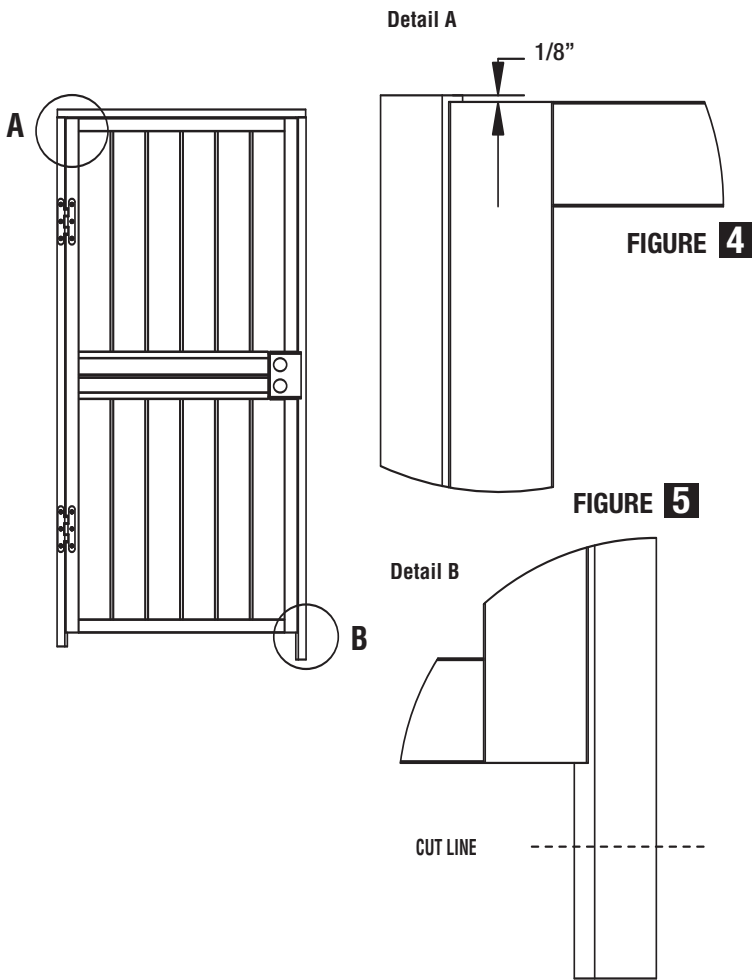
5 Install Hardware.

Install the hardware set you have chosen per the manufacturer's instructions. Check for interference with your prime door hardware. You may need to reverse the handle and deadbolt positions to prevent interference.

6 Install header.

Position the header and close the door. Use one screw to hold the header in place. Level the header to provide an even reveal of 1/8" across the top of the door. See Figure 3. Install with (3) #8 x 1" Phillips pan-head screws in the pre-drilled holes.





7 Cut latch side Z-bar.

The latch side Z-bar has a lock hole punched exactly in the center. To ensure an accurate cut, hold the Z-bar up to the latch side of the door so the latch bolt and deadbolt of your hardware extend through the Z-bar. Make a mark on the Z-bar 1/8" above the top of the door (Figure 4). Cut the top of the Z-bar at your mark. Cut the bottom of the latch side Z-bar so the overall length of the Z-bar matches your door opening from the installed header to the threshold (Figure 5).

8 Position latch side Z-bar.

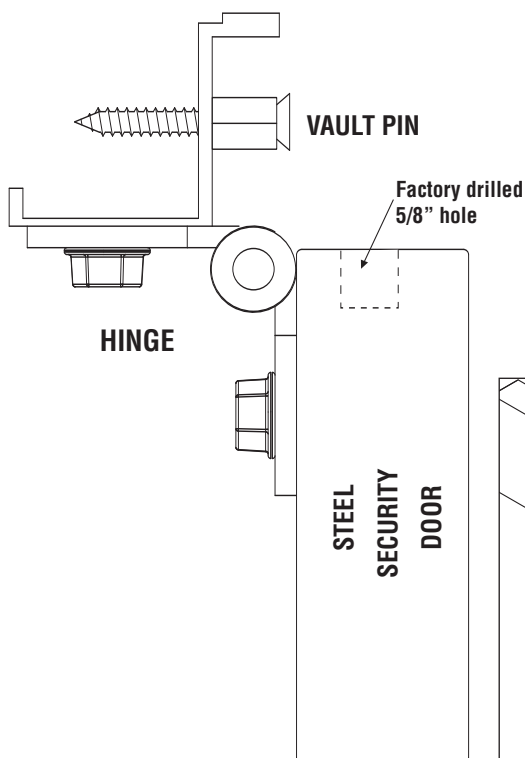
Position the latch side Z-bar and mark the wood door jamb through the lock cutout in the Z-bar. This will give you a guide to chisel. Remove the latch side Z-bar.

Use the wood chisel to create a pocket for the latch and deadbolt. Be careful with cuts to prevent removing excess material. You may want to use the deadbolt as a depth guide. The latch side Z-bar needs to cover your cutout.

9 Install latch side Z-bar.

Install the latch side Z-bar with (6) #8 x 1" Phillips pan-head screws in the pre-drilled holes. Allow 1/8" clearance between the Z-bar and the door. A strike plate is provided for extra security. Install it over the lock cutouts in the Z-bar with (2) # 8 x 1" flat head screws.

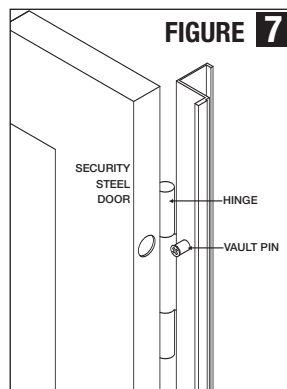
FIGURE 6



10 Optional Vault Pins.

(Vault pins are provided and can be used for additional security. Proceed to next step if not used.)

There are 2 pre-drilled holes on the hinge-side edge of the door (see Figure 7). Drill a 1/8" hole through the Z-bar and approximately 3/4" deep in the jamb. Screw the Vault Pins provided into these holes using a #8 x 1-1/2" flat head screw. This leaves approximately 3/8" of the Vault Pin exposed. The door will close over the Vault Pins for extra security. Be sure that the holes you drill line up with the center of the pre-drilled holes in the door. See Figure 6.



11 Install Expander

An Adjustable Expander with Rubber Gasket is provided to give a snug fit at the bottom of the door.

Open the door and slide the sweep into position. From the inside of the house, adjust the Expander's height so that the rubber seal barely touches the sill evenly across the bottom. Drill 1/8" holes through the Expander slots into the door and then fasten with #8 x 1" Phillips Head Screws. See Figure 8.

Note: Some installations may require removing and re-setting the bottom glass clips through the expander sweep.

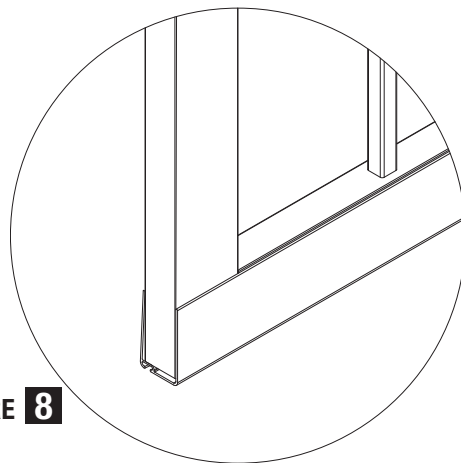


FIGURE 8



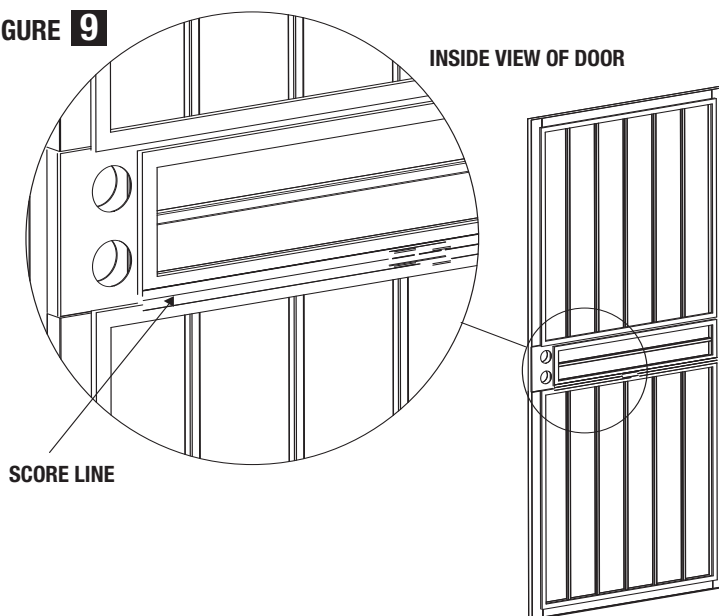
#8X1" PAN HEAD SCREW

12 Closer Installation

The pneumatic closer **MUST** be installed in the middle of the door. See instructions in kit for bracket installation. See Figure 9.

Left hinged installation shown. The closer bracket will need to be installed **ABOVE** the middle insert on a right hinge installation. The screws should always be installed on the score line of the mullion.

FIGURE 9



13 Storm Chain Installation

The Storm Chain is to be installed at the top of the door. Instructions are provided with the chain.

Reversa Hinge Procedure

Lay the door flat. Use the cardboard to protect the door's finish. Remove the Adjustable Expander Sweep at the bottom of the door. On the left side of the door, remove the two attached hinge screws with a 5/16" hex bit. Shift the Z-bar to leave 1/8" extending past the bottom of the door. The Z-bar should now extend above the top of the door and only 1/8" of an inch below the door. Fasten the Z-bar hinges back into the new center hole with the self-tapping screw you removed previously.

Rotate the door ends top to bottom. What was the bottom of the door is now the top and the door is hinged on the right side. Continue with installation step #2.

